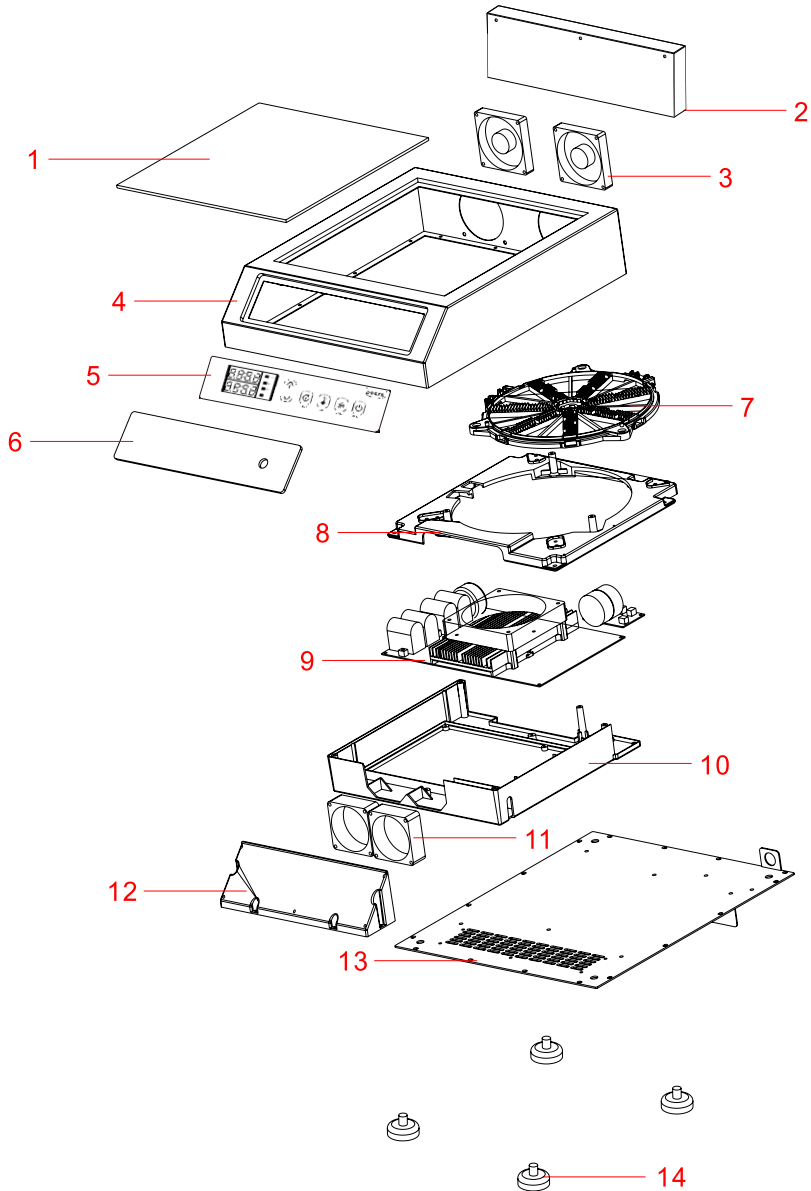


# VA-IC3540PRO EXPLODE VIEW



1	Glass palte
2	Slot
3	Fan
4	Upper Case
5	Control Panel
6	Control Panel Glass
7	Induction Coil
8	Main Board Upper Case
9	Main Board
10	Support for Main Board
11	Fan (inlet air)
12	Wind Proof Cover
13	Base
14	Foot